



LED Panel Light
PUD123N/3040D





Introduction

This panel light is an Up & down lighting design, without any screws making it aesthetically pleasing. The panel is manufactured as an anti-glare UGR<19

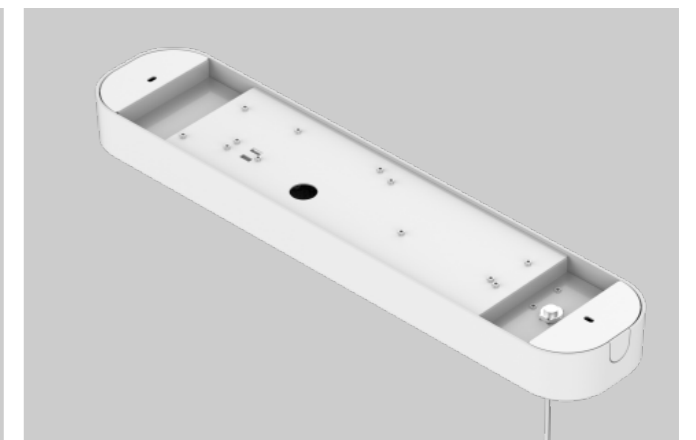
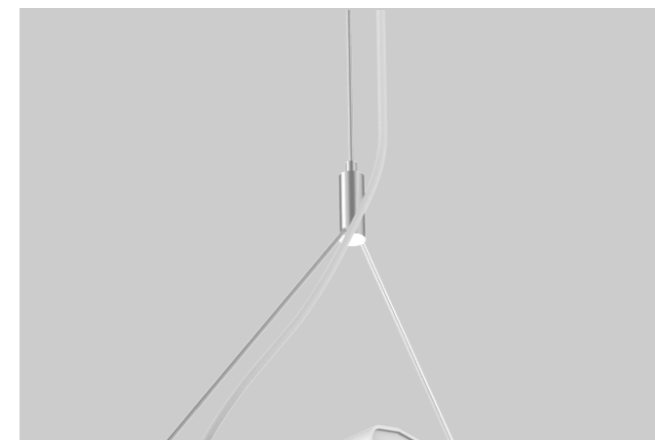
Magnetic mounting box can also save much time for installation.

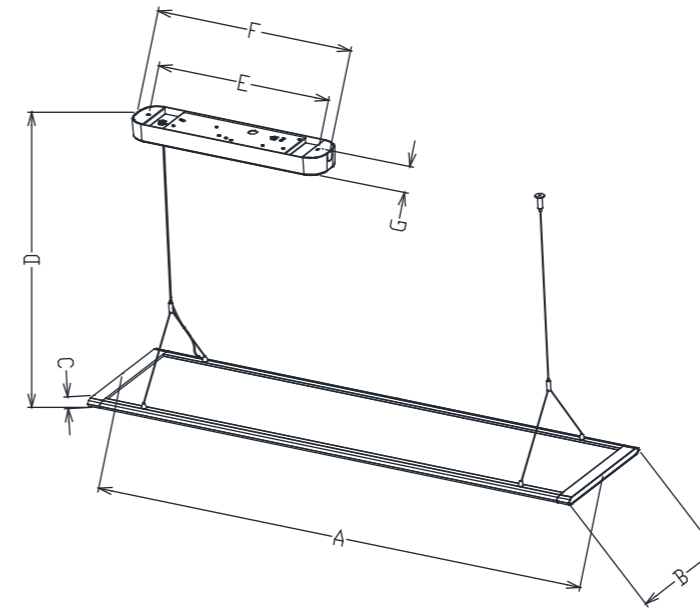
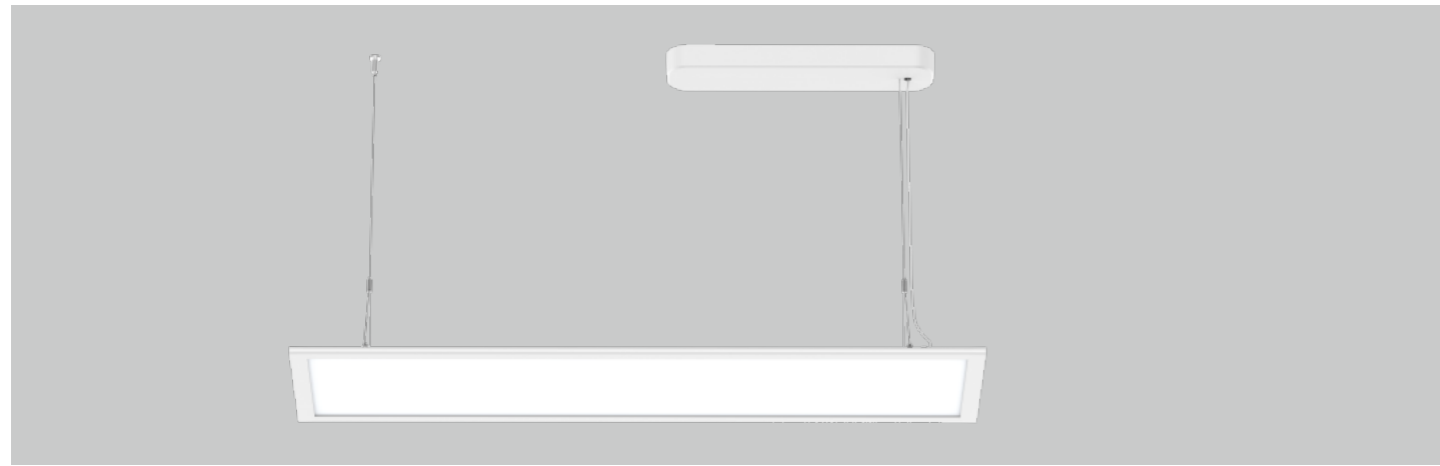
Features

- Up & down lighting design, 3:7 light distribution.
- Anti-glare design, more uniform light output.
- Fast installation with magnetic mounting box.
- Screwless design with better looking.
- Triac dim and DALI dimming options.

Application Areas

It is widely used in house lighting, office room, meeting room, restaurant etc.





Technical Data Sheet

Code No.	PUD123.1N/3640D	PUD123.1N/3640D-d	PUD123.1N/3640D-DA		
Dimension(mm)	1200*300*16.5				
Cutout (mm)	-				
Watt(W)	40W				
Rated Input Voltage(V)	AC230V				
Input Voltage(V)	AC200-240V				
LED Module Input	-				
Light Source	SMD2835				
SDCM	<6				
CCT(K)	1-CCT: 3000K /4000K/5000K/5700K				
CCT Selection DIP Switch	NO				
Luminous Flux (lm) ±5%	Non-DIM	1-CCT	3650-4200LM	-	-
	DIM		-	3600-4100LM	3600-4100LM
	Non-DIM	3-CCT	-	-	-
	DIM		-	-	-
CRI	80				
Beam Angle (°)	110°				
UGR	<19				
LED Driver	Built-OUT				
Dimming Option	Triac / DALI				
Sensor	-				
Emergency Kits	-				
Electrical Class	Class I				
Ingress Protection (IP Rating)	IP20				
Impact Resistance (IK Rating)					
Product Finishing(Base)	White RAL 9003				
Materials of Optics	PS (Diffuser) /PMMA (LGP)				
Materials of Housing	Aluminium(frame)				
Lifetime (hr)	50,000h				
Glow wire test (°C)	650°C				
Operating Temp. (°C)	-10~40°C				
Storage Temp. (°C)	-20~50°C				
Installation	Pendant				

Measurement

Code	Dimension(mm)							Size(mm)	Product Weight (Kg)		Package weight (Kg)		Carton Size(cm)	Qty/CTN	20GP (pcs)	40HQ (pcs)
	A	B	C	D	E	F	G		N.W/PC	G.W/PC	N.W/CTN	G.W/CTN				
PUD123	1200	300	16.5	1500	422	480	43	1200*300*16.5	3.76	5	9.04	11.5	127.5*16*42	2	670	1570

Driver Datasheet (Non-dimmable)

Total load wattage		40W
Output	Output Voltage range	DC30-40V
	Rated output current	1000mA
	Line Regulation	±5%
	Setup, Rise Time	< 0.5S
	Flickering Index	< 7%
Input	Input Voltage	AC220-240V
	Rated Input Voltage(V)	AC230V
	Frequency	50/60HZ
	Input Current	<0.23A
	Rated Input Current	0.2A
	Power Factor	0.9
	THD	<20%
	Efficiency	> 88%
	No load wattage	< 1W
Protection	Short circuit protection	Pass
	Over voltage protection	Pass
	Over temperature protection	Pass
Safety & EMC	Withstand voltage	AC3750V 5mA/60S
	Isolation Resistance	-
	Inrush Current	IEC/EN61000-4-5(P≥25W; L-N1KV, L/N-PG:2KV)
	EMC Emission	EN55015, EN61000-3-2
EMC Immunity	EN61000-4-2,3,4,5,6,8,11; EN61547	

Driver Datasheet (Triac Dimmable)

Total load wattage		40W
Output	Output Voltage range	DC30-40V
	Rated output current	950mA
	Line Regulation	±5%
	Setup, Rise Time	<0.5S
	Flickering Index	<7%
Input	Input Voltage	AC200-240V
	Rated Input Voltage(V)	AC230V
	Frequency	50HZ
	Input Current	<0.23A
	Rated Input Current	0.2A
	Power Factor	0.9
	THD	<20%
	Efficiency	>84%
	No load wattage	<1W
Protection	Short circuit protection	Pass
	Over voltage protection	Pass
	Over temperature protection	Pass
Safety &EMC	Withstand voltage	AC3750V 5mA 60S
	Isolation Resistance	-
	Surge	IEC/EN61000-4-5(P>25W,L-N:1KV,L/N-PG:2KV)
	EMC Emission	EN55015,EN61000-3-2
	EMC Immunity	EN61000-4-2,3,4,5,6,8,11; EN61547

Driver Datasheet (Dali Dimmable)

Total load wattage		40W
Output	Output Voltage range	DC25-42V
	Rated output current	1000mA
	Line Regulation	±5%
	Setup, Rise Time	<1S
	Flickering Index	<1%
Input	Input Voltage	AC200-240V
	Rated Input Voltage(V)	AC230V
	Frequency	50/60HZ
	Input Current	<0.23A
	Rated Input Current	0.18A
	Power Factor	0.9
	THD	<20%
	Efficiency	>88%
	No load wattage	<1W

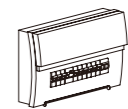
Protection	Short circuit protection	Pass
	Over voltage protection	Pass
	Over temperature protection	Pass
Safety &EMC	Withstand voltage	AC3750
	Isolation Resistance	-
	Surge	IEC/EN61000-4-5(P>25W,L-N:1KV,L/N-PG:2KV)
	EMC Emission	EN55015,EN61000-3-2
	EMC Immunity	EN61000-4-2,3,4,5,6,8,11; EN61547

Installation Procedure

WARNING ⚡

- 1.Switch off before installation / maintenance.
- 2.Switch on only after complete installation and examination of the circuit.
- 3.Professional electrician for installation and maintenance only.

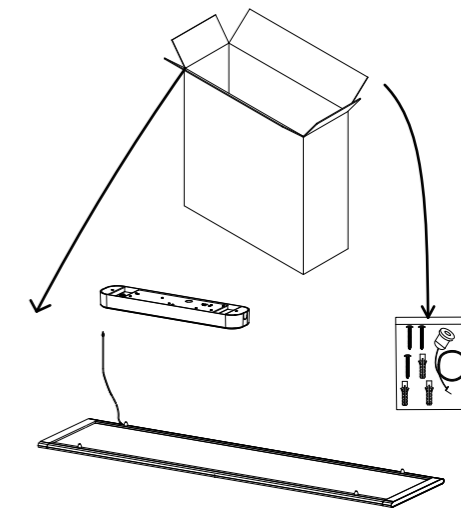
Turn Off power supply before starting any installation. Read instructions & check you have all the tools & accessories to complete the installation correctly.



How to install

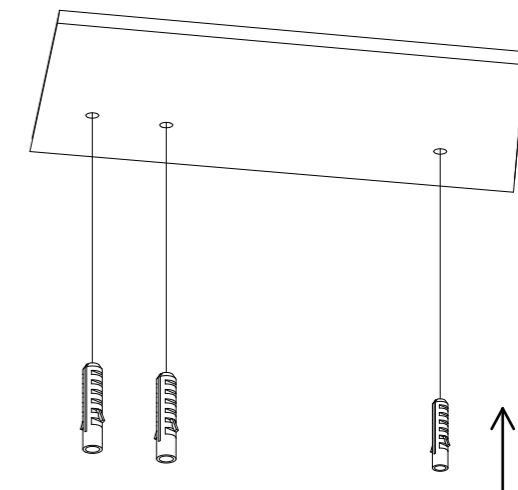
Step 1

Take out panel and accessory pack from box.



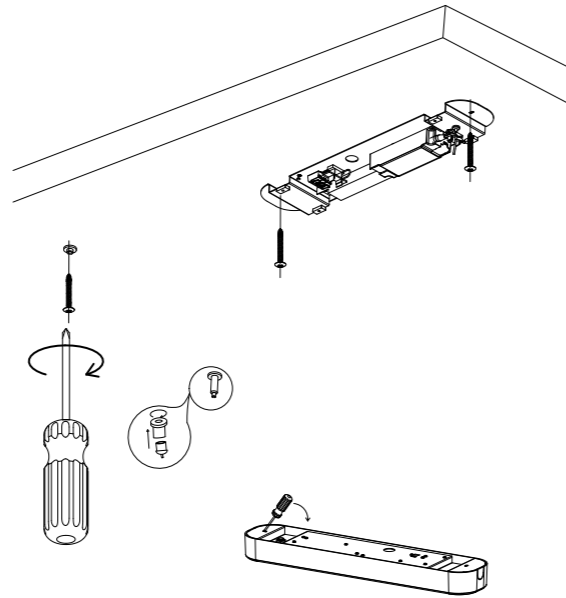
Step 2

Knock the plastic anchor into ceiling.



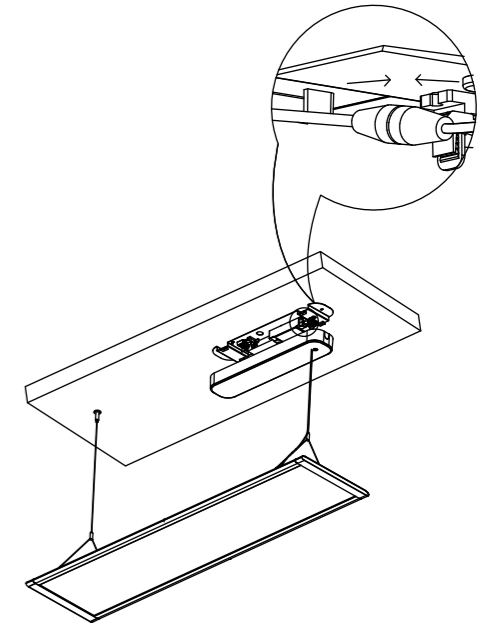
Step 3

Open the driver box, fasten the bracket and self-lock device on the ceiling.



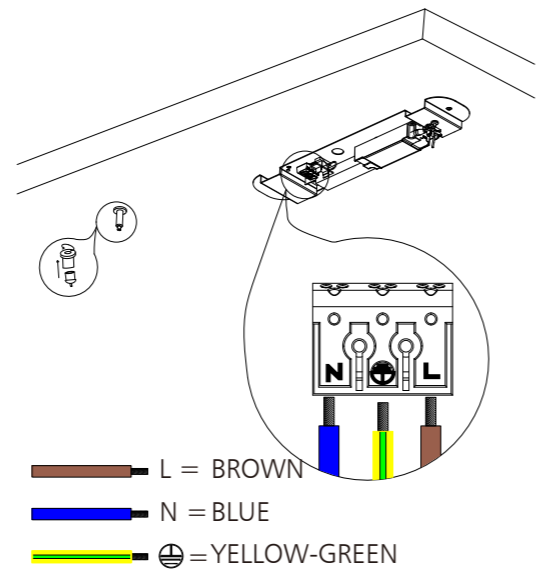
Step 6

Fix the steel wire into the end connector, connect male and female plug, and then cover the mounting box.



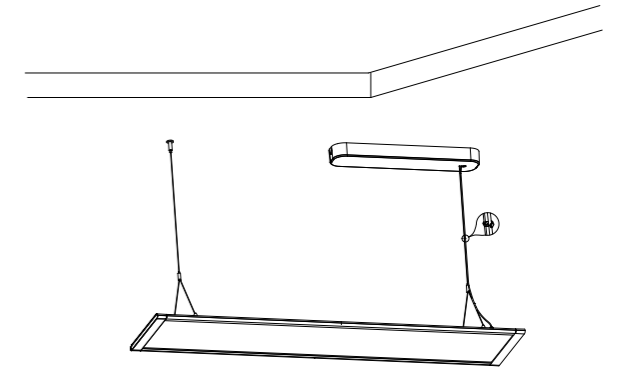
Step 4

Connect AC wire correctly, rotate the steel wire end part and fix it with the bracket.



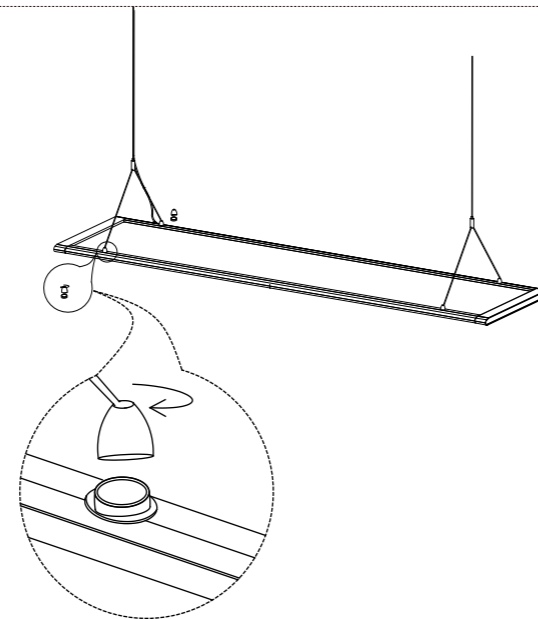
Step 7

Adjust a suitable length for steel wire, fix the wires with cable clip.



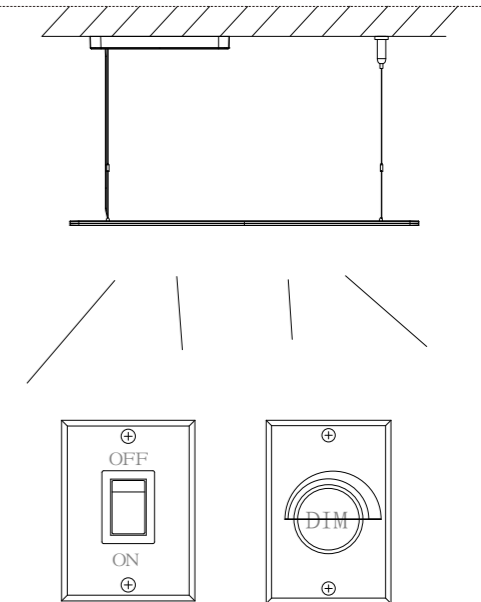
Step 5

Connect two "Y" shape steel wire with panel.



Step 8

Switch on.





The Professional Choice in Led Lighting

www.genesisoneighting.com sales@genesisone.co.za Tel: +27 11 462 0251

ADD: 2 Lancaster Palce, Lanseria Corporate Estate, Lanseria